

Description

BP2364XN is a high precision non-isolated APFC buck LED driver, specially designed for universal mains with constant current control. BP2364XN operates in Critical Conduction Mode to reduce the switching loss and optimize the EMI.

BP2364XN remove the VCC capacitor, COMP capacitor and R_{CS} resistor to simplify the external BOM. And it utilizes specific current limit with feedback loop to monitor current, it can provide high accuracy current regulation, excellent regulation and high precision.

BP2364XN offers full-featured protection functions to improve the system reliability, including LED load short protection. The system reliability is further improved by thermal shutdown, this function will shut down the LED load when the junction in condition of over temperature.

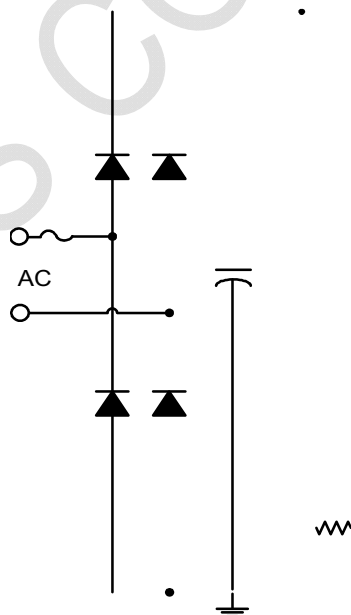
Features

- Active-PFC for High PF and Low THD
- No VCC and COMP capacitor
- Critical Conduction Mode Operation
- Short Protection
- LED Open Protection (OVP resistor ADJ)
- LED function is compatible with switch color LED and sensor light
- Cycle-by-Cycle Current Limit
- Thermal Regulation Function
- Available in ASOP8 Package

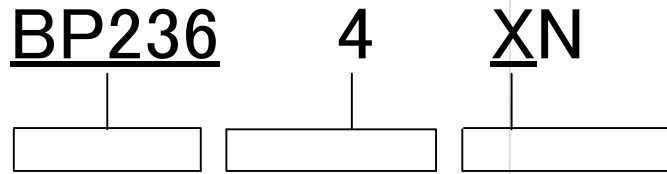
Applications

- LED Bulb
- LED Tube
- Other LED Light

Typical Application

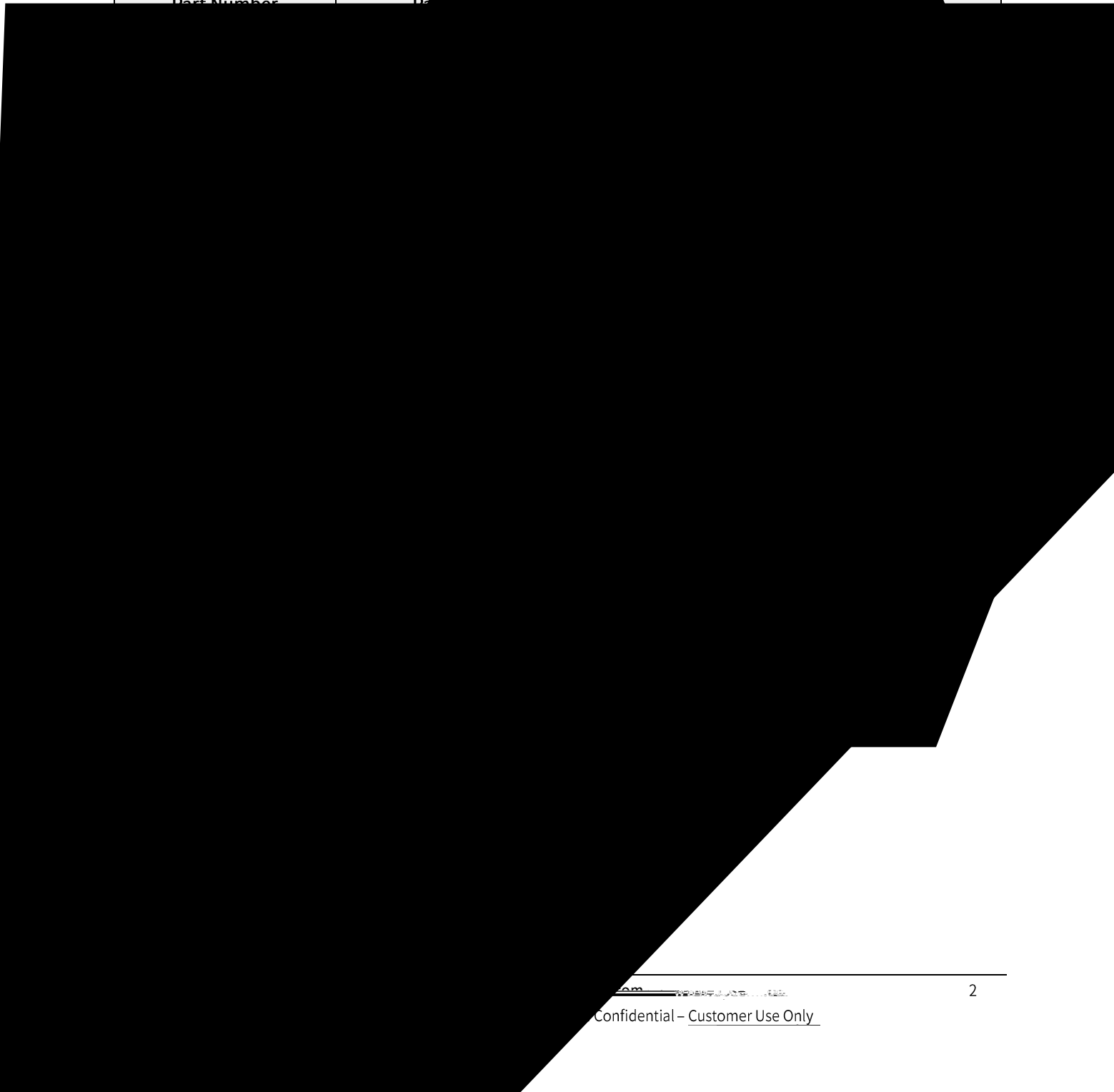


Naming rules



Ordering Information

Part Number	Part Name	Package	Marking
-------------	-----------	---------	---------



Disclaimer

The information provided in this datasheet is believed to be accurate and reliable. However, Bright Power Semiconductor (BPS) reserves the right to make changes without notice and is not responsible for any errors or omissions. BPS provides information in this datasheet "AS IS" and with all faults and makes no warranty, expressed or implied, including but not limited to, the accuracy of the information provided in this datasheet or its suitability for use for a specific purpose, or non-infringement of intellectual property rights of BPS or any other third party. BPS shall not be liable for consequential or incidental damages.

BPS CONFIDENTIAL